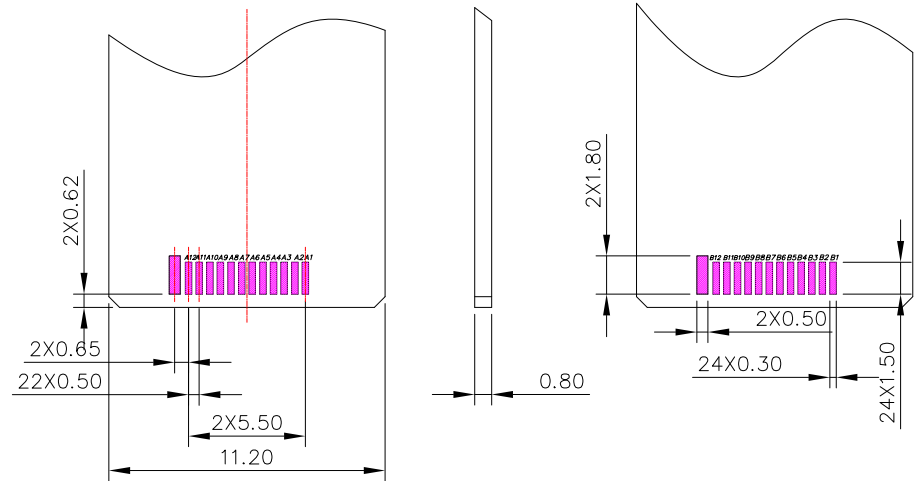
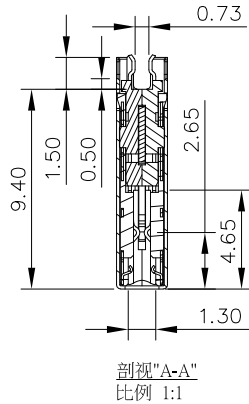
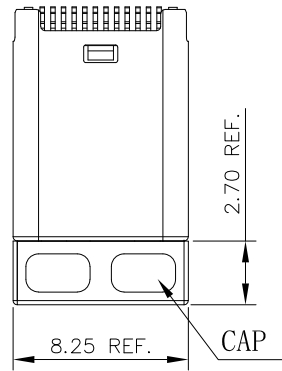
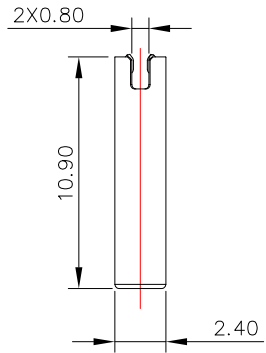
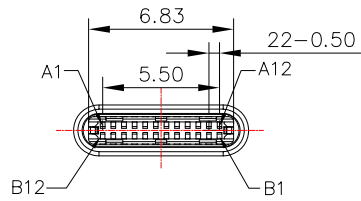
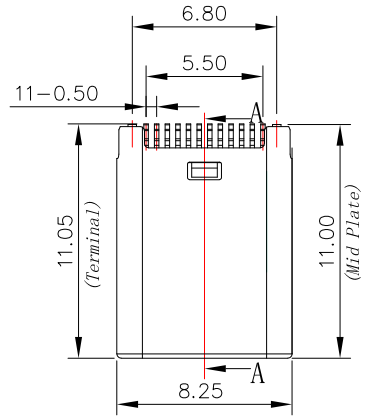


TID:12611



RECOMMEND PCB

**SPECIFICATIONS**

**Electrical:**

1. Rating: 3.0A , 20V
- 2.Contact Resistance: 40 mΩ Max
- 3.Insulation Resistance: 100 MΩ Min
- 4.Dielectric Withstanding Voltage: 100V AC

**Material:**

- 1.Housing: LCP
- 2.Contact: C7025
- 3.Shell: SUS

**Finish:**

- 1.Contact: Plated Gold in Mating Area ;  
Tin Plated on Solder Balls ;  
Nickel under plated overall
- 2.Shell: Nickel under Plated surface layer(Perspiration test 24H)

Pin No.:

A12	A11	A10	A9	A8	A7	A6	A5	A4	A3	A2	A1
GND	RX2+	RX2-	Vbus	SBU1	D-	D+	CC1	Vbus	TX1-	TX1+	GND
GND	TX2+	TX2-	Vbus	CC2			SBU2	Vbus	RX1-	RX1+	GND
B1	B2	B3	B4	B5	B6	B7	B8	B9	B10	B11	B12

9	新增TID號碼	Jack	051326
8	更新PIN編號	Jack	101525
7	更新尺寸	Jack	081623
6	更新CAP樣式	Jack	112422
5	新增(Perspiration test 24H)	Jack	100422
ITEM NO.	DESCRIPTION	DRAWN	DATE

**CONTACT** 建倚科技股份有限公司  
**CONTACT TECHNOLOGY CORP.**

TOLERANCE UNLESS OTHERWISE STATED :  
 Up to 5 ±0.2  
 Above 5 ~ 15 ±0.3  
 Above 15 ~ 30 ±0.4  
 Above 30 ~ 50 ±0.5  
 Angle ±0.3

3RD. ANGEL'S

UNITS MM

DRAWN BY:	DATE	MATL	TITLE	CONNECTOR
Jack Lu	05/13/26			
CHECKED BY:	DATE	FINISH	MODLE	USB 3.1 TYPE C 公頭拉伸超薄款夾板 (Perspiration test 24H)
Jacky Chen	05/13/26			
APPROVED BY:	DATE	SCALE	DWG NO.	SBC-241PL5631HF-S338
Tony Kao	05/13/26	1 : 1		
		SHEET NO.	PART NO.	SBC-241PL5631HF-S338
		1 of 1		
			SIZE	A4
			VER	R9